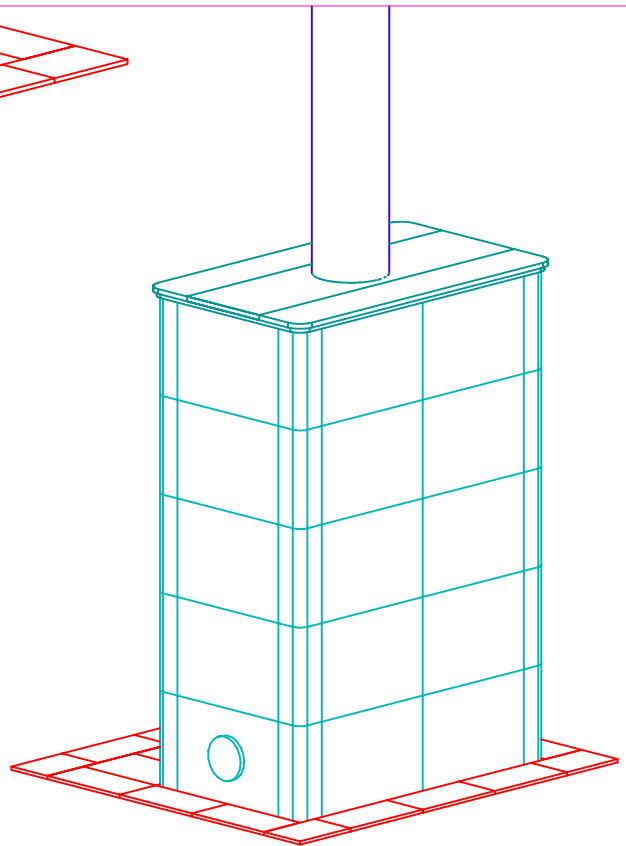
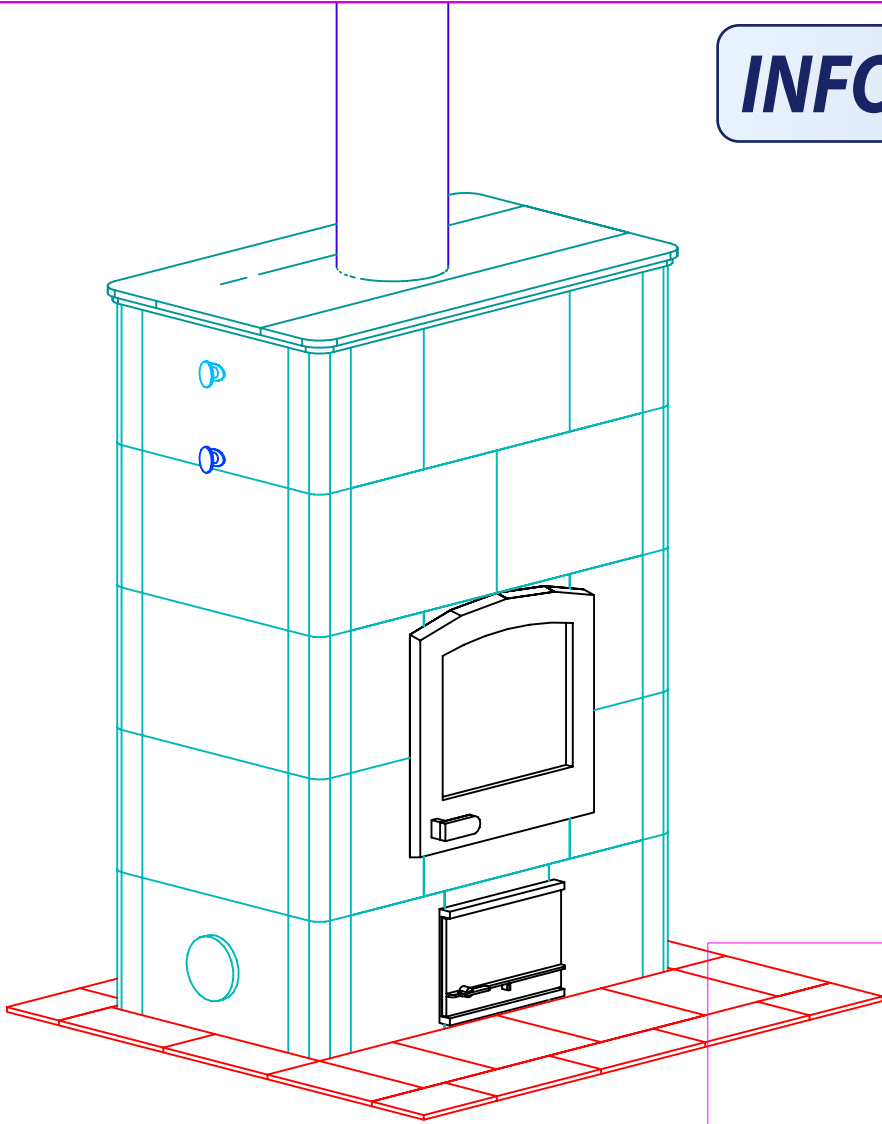


# INFORMATION ONLY



NOTE: Hearth Tiles CUT AND INSTALLED by others



MID-ATLANTIC MASONRY HEAT  
 1229 Harris Street Suite 1  
 Charlottesville, VA 22903  
 (434)979-9709 Fax 434-979-6416

PROJECT STACY  
 MODEL TU2200-T

CONTRACT 5666  
 DRAWN BY D.P.BYRAM

VIEW PERSPECTIVE  
 DATE 8/26/04

PAGE 1

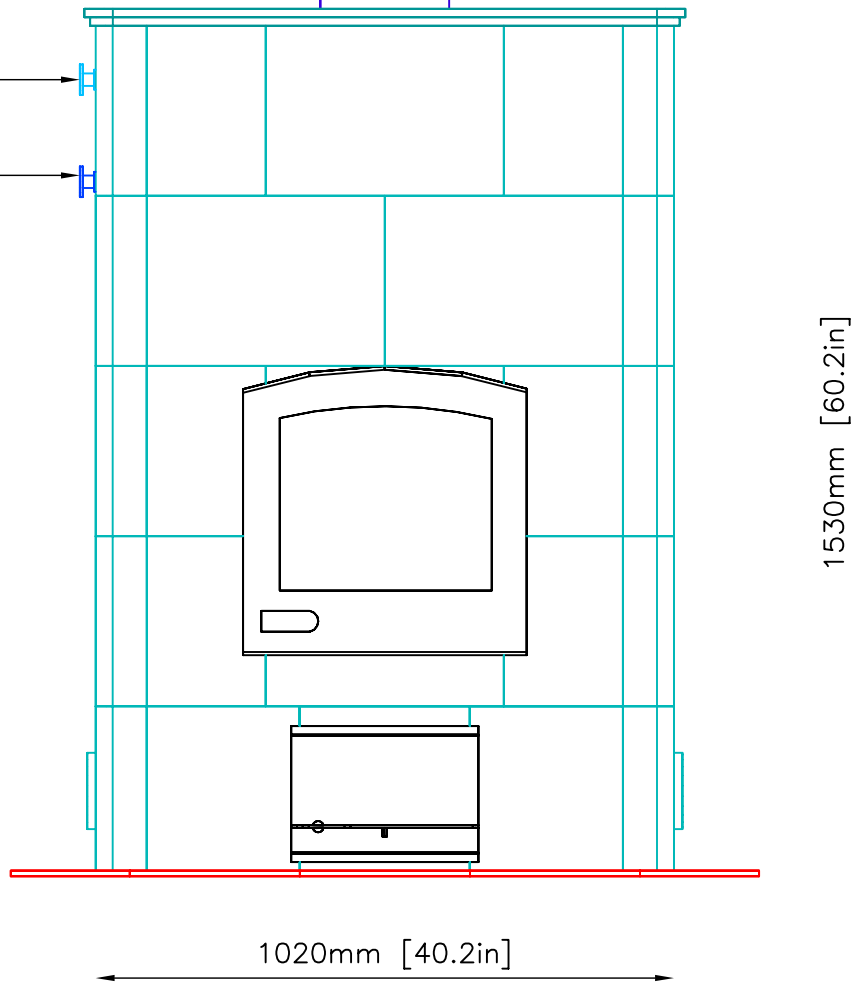
FRONT VIEW

# INFORMATION ONLY

7" I.D./9" O.D. Double Wall  
Stainless Steel Flue Pipe  
by others

Main Damper  
Control

Bypass Damper  
Control



NOTE: Hearth Tiles CUT AND INSTALLED by others



MID-ATLANTIC MASONRY HEAT  
1229 Harris Street Suite 1  
Charlottesville, VA 22903  
(434)979-9709 Fax 434-979-6416

PROJECT STACY  
MODEL TU2200-T

CONTRACT 5666  
DRAWN BY D.P.BYRAM

VIEW FRONT  
DATE 8/26/04

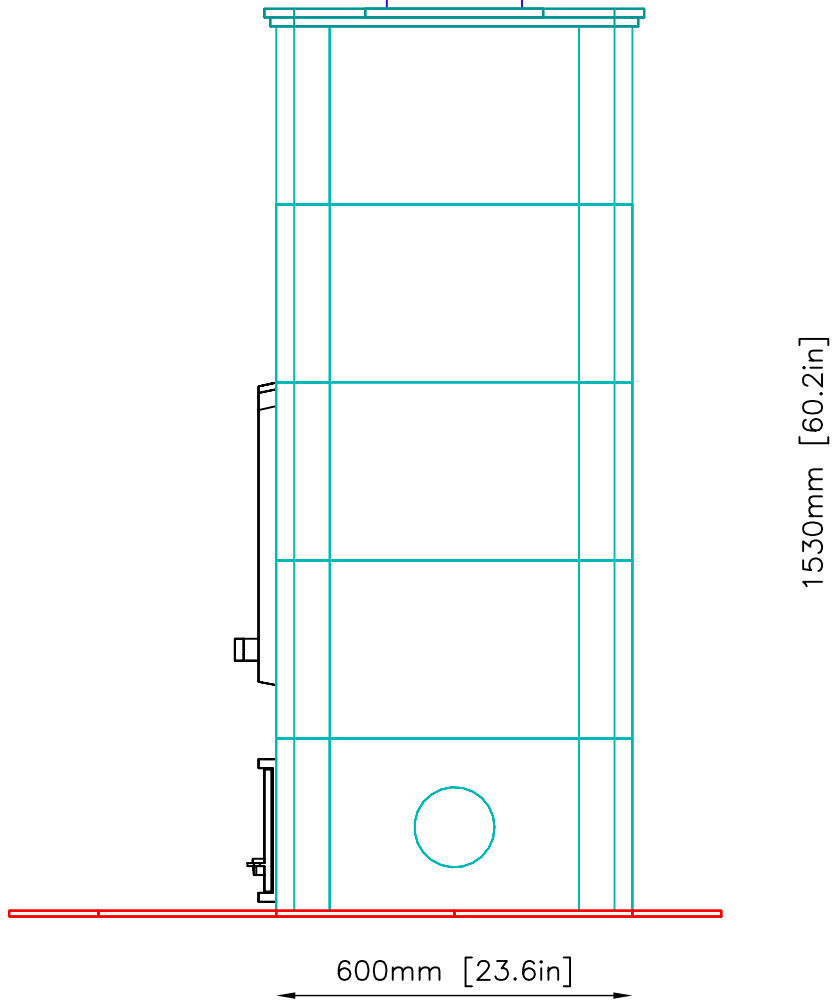
PAGE

2

SIDE VIEW

# INFORMATION ONLY

7" I.D./9" O.D. Double Wall  
Stainless Steel Flue Pipe  
by others



NOTE: Hearth Tiles CUT AND INSTALLED by others



MID-ATLANTIC MASONRY HEAT  
1229 Harris Street Suite 1  
Charlottesville, VA 22903  
(434)979-9709 Fax 434-979-6416

PROJECT STACY  
MODEL TU2200-T

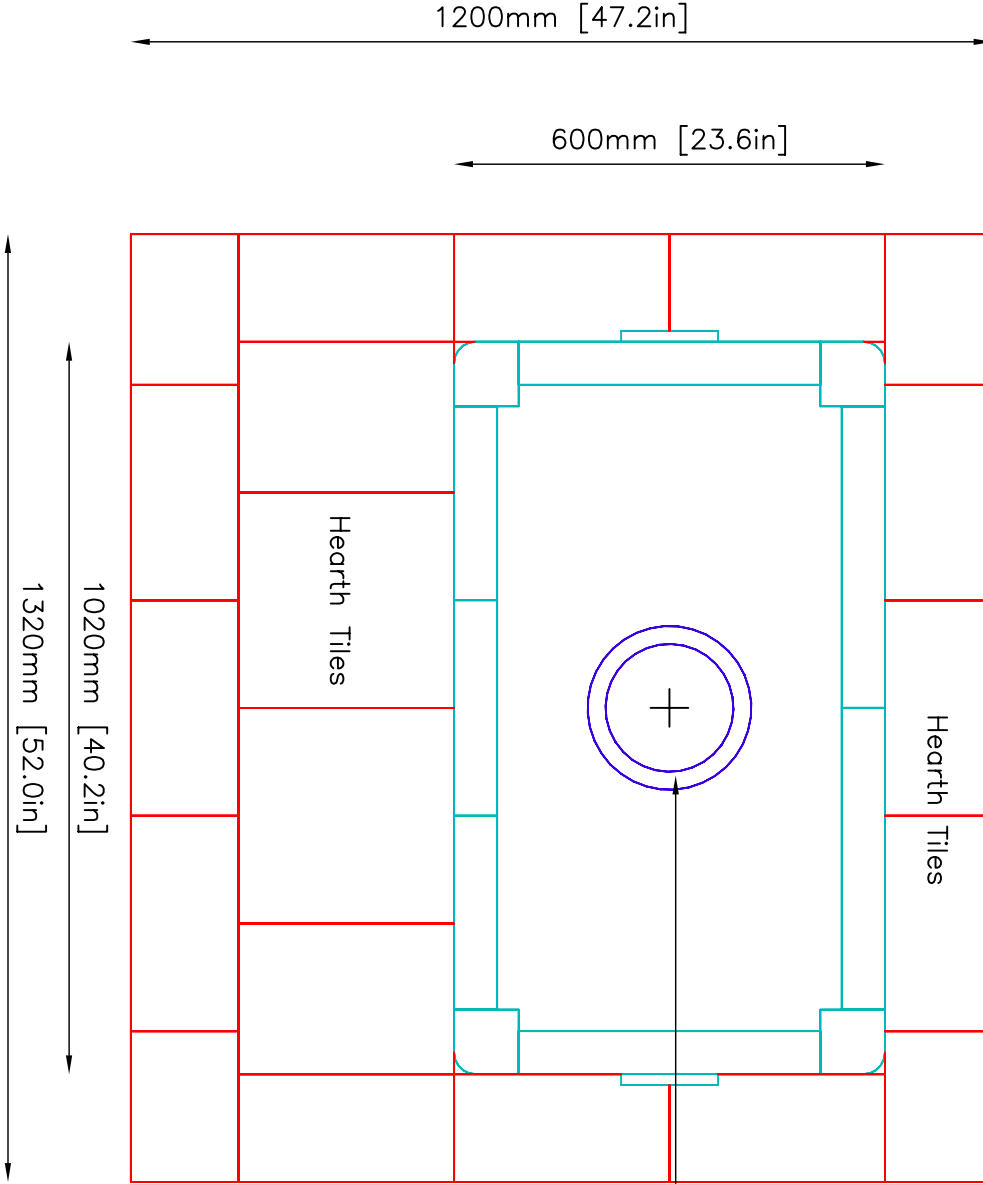
CONTRACT 5666  
DRAWN BY D.P.BYRAM

VIEW SIDE  
DATE 8/26/04

PAGE 3

# INFORMATION ONLY

PLAN VIEW



7" I.D./9" O.D. Double Wall  
Stainless Steel Flue Pipe  
by others  
SEE PAGE 5 FOR  
FLUE LOCATION

NOTE: Hearth Tiles CUT AND INSTALLED by others