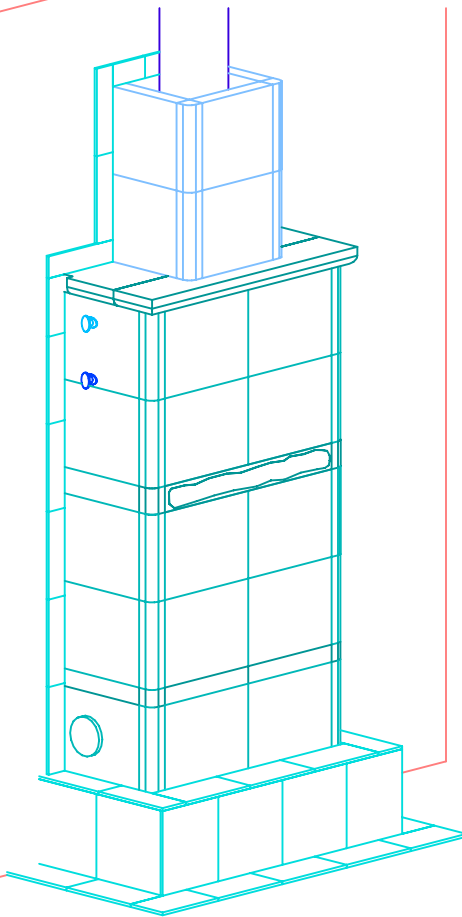
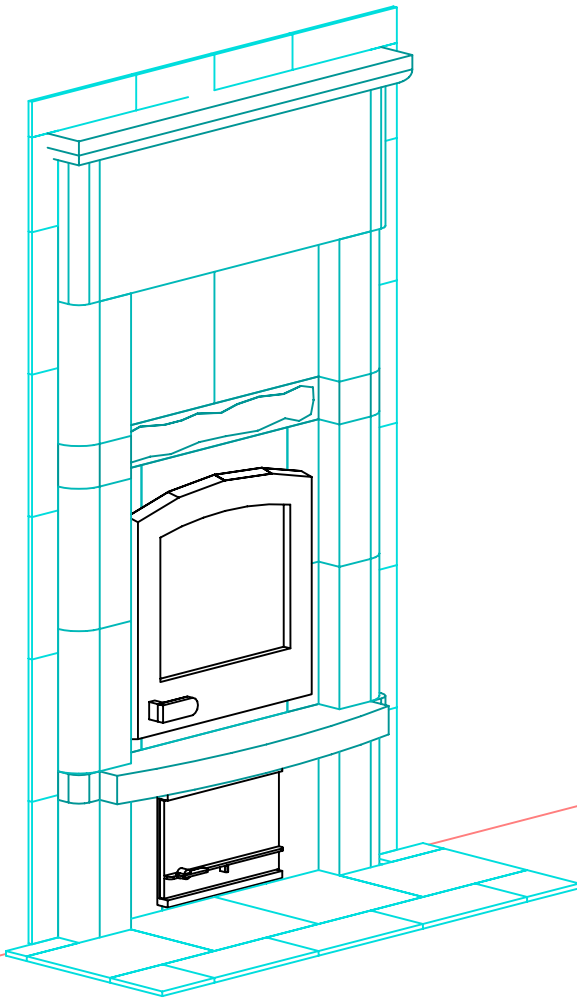


# INFORMATION ONLY



NOTE: Hearth Tiles CUT AND INSTALLED by others



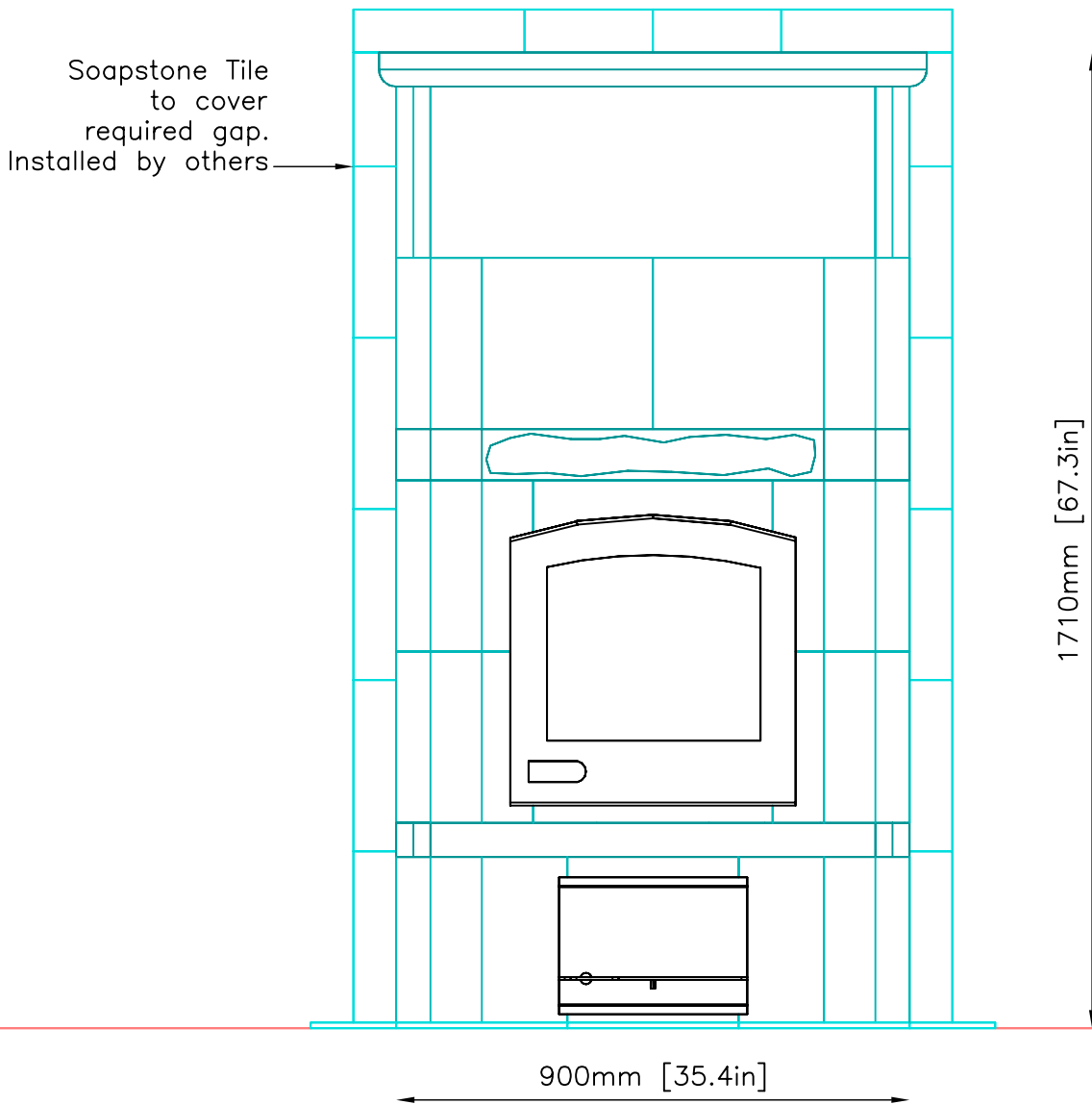
FIREPLACE EDITIONS  
 1035 Mt. Carmel Church Road  
 Chapel Hill, NC 27517  
 (919)968-8101 Fax 919-969-8353

PROJECT STITT  
 MODEL TU1610/1

CONTRACT  
 DRAWN BY D.P.BYRAM

VIEW PERSPECTIVE  
 DATE 3/16/05

PAGE 1



NOTE: Hearth Tiles CUT AND INSTALLED by others



FIREPLACE EDITIONS  
1035 Mt. Carmel Church Road  
Chapel Hill, NC 27517  
(919)968-8101 Fax 919-969-8353

PROJECT STITT  
MODEL TU1610/1

CONTRACT  
DRAWN BY D.P.BYRAM

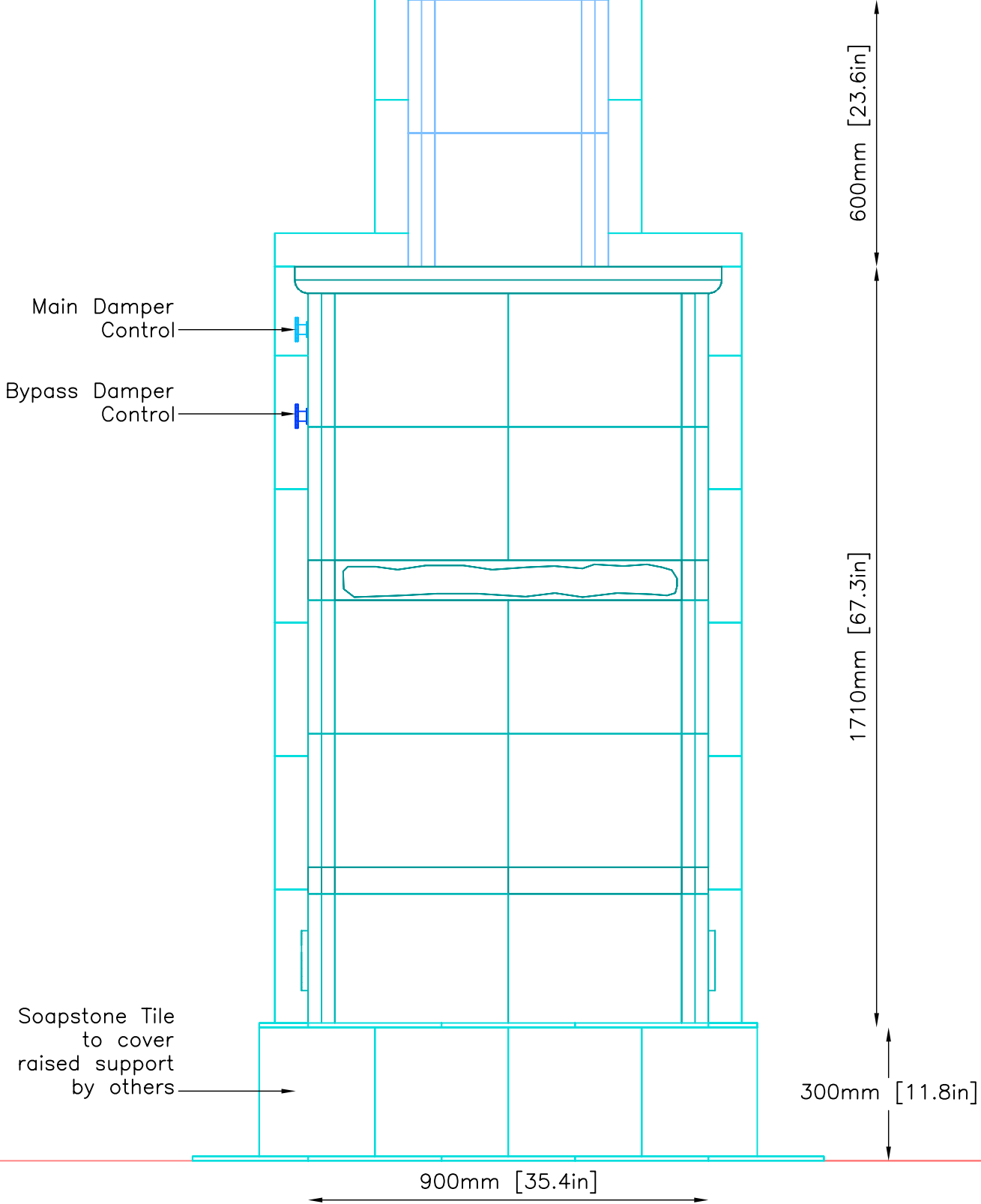
VIEW FRONT  
DATE 3/16/05

PAGE

LIBRARY VIEW

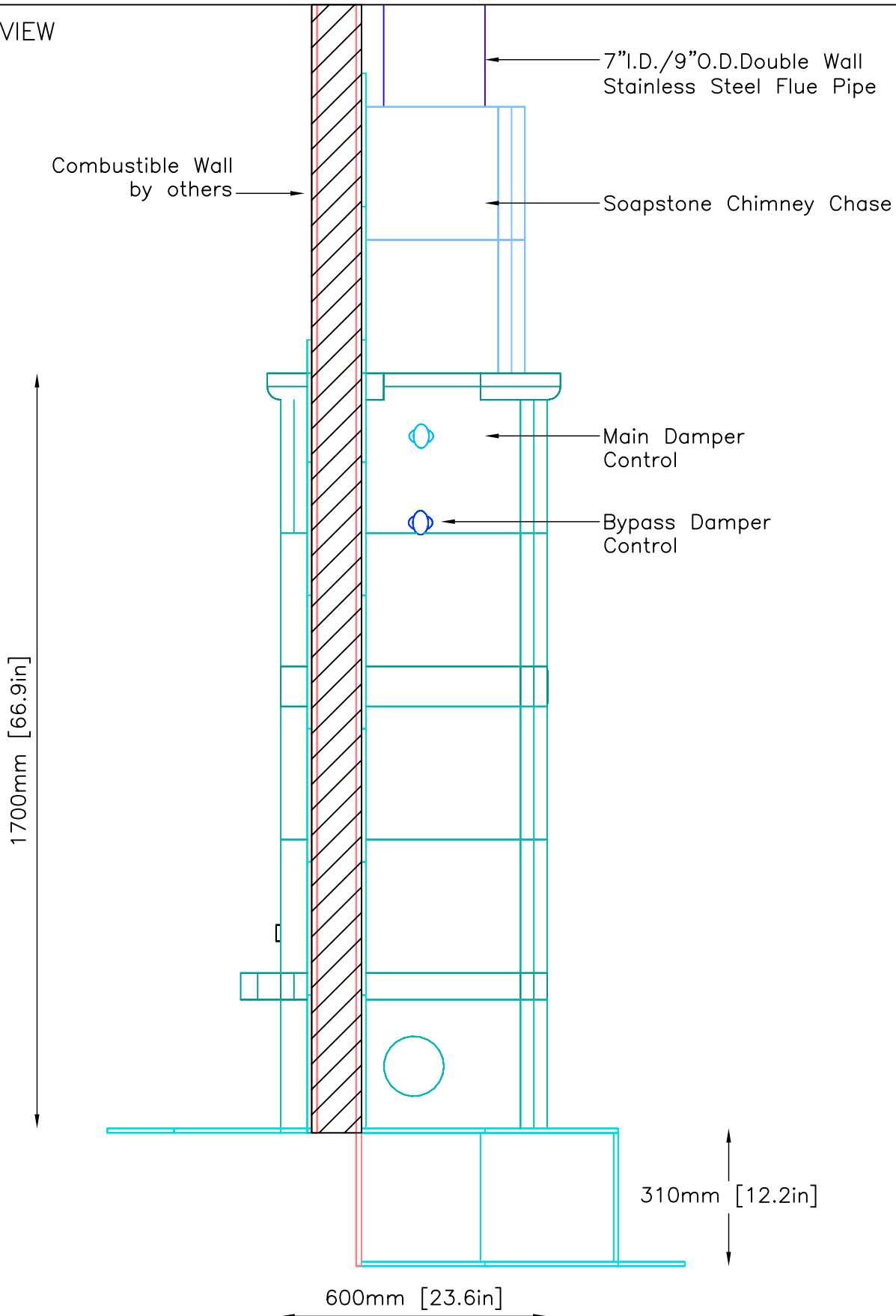
**INFORMATION ONLY**

7" I.D./9" O.D. Double Wall  
Stainless Steel Flue Pipe



NOTE: Hearth Tiles CUT AND INSTALLED by others

SIDE VIEW



**INFORMATION ONLY**

NOTE: Hearth Tiles CUT AND INSTALLED by others



FIREPLACE EDITIONS  
1035 Mt. Carmel Church Road  
Chapel Hill, NC 27517  
(919)968-8101 Fax 919-969-8353

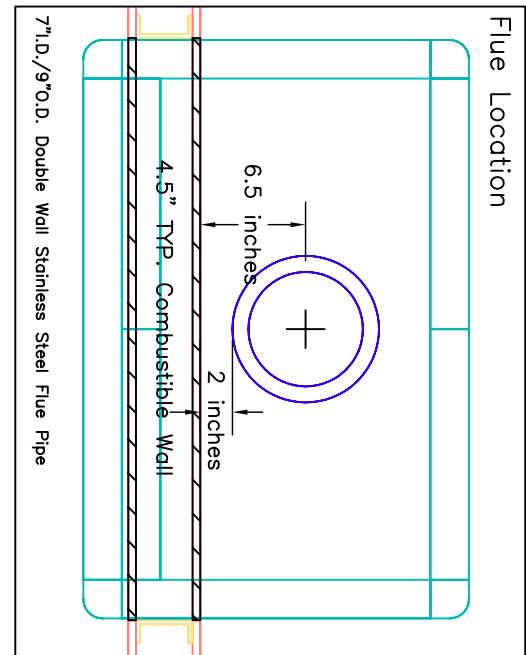
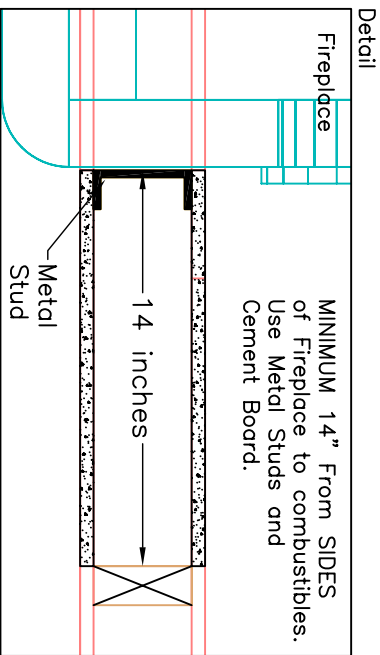
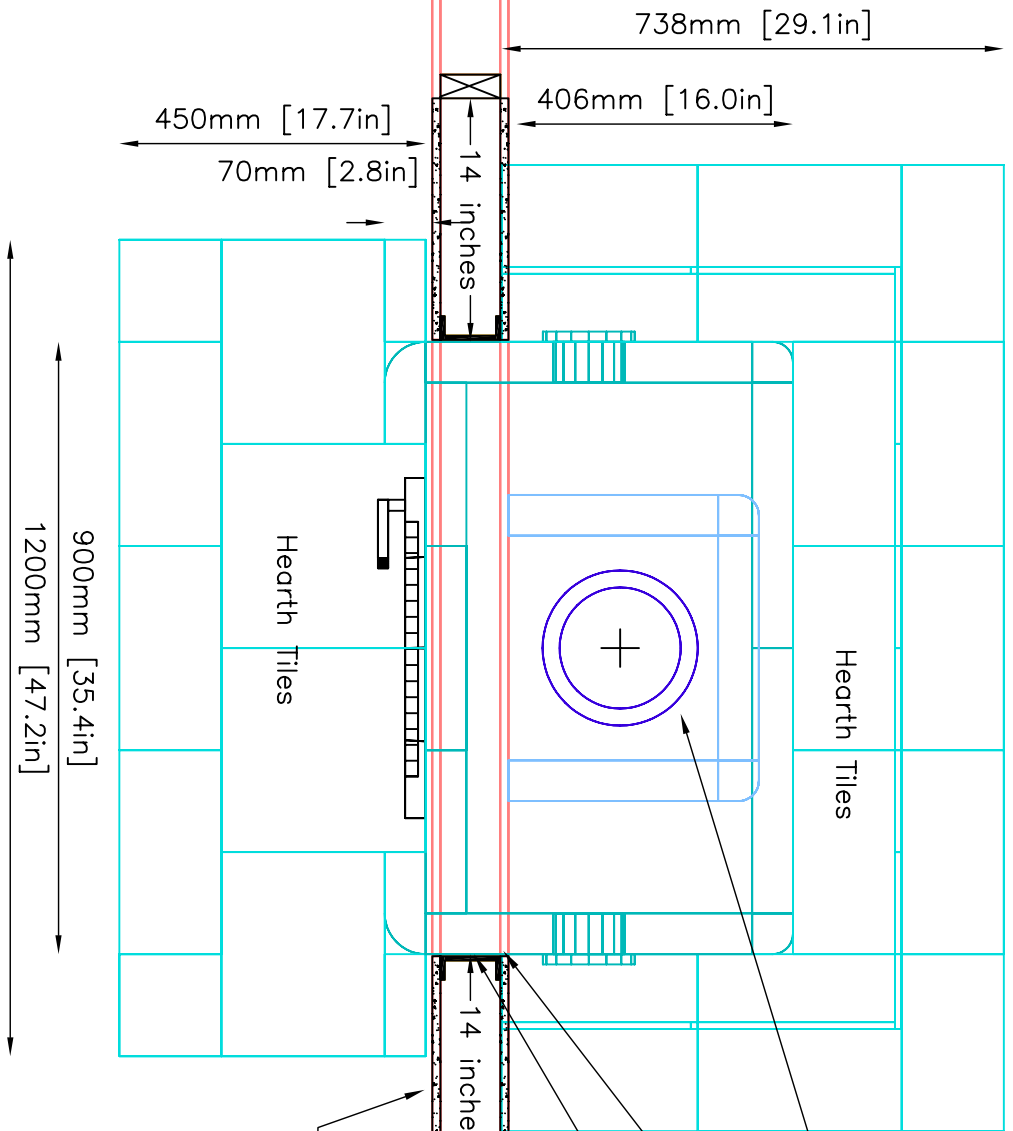
PROJECT STITT  
MODEL TU1610/1

CONTRACT  
DRAWN BY D.P.BYRAM

VIEW SIDE  
DATE 3/16/05

PAGE 4

1420mm [55.9in]



7" I.D./9" O.D. Double Wall Stainless Steel Flue Pipe

MINIMUM 8" Gap between Metal Studs, Cement Board and Fireplace

Metal Stud Wood Stud

4.5" TYP. Combustible Wall

MINIMUM 14" From SIDES of Fireplace to combustibles. Use Metal Studs and Cement Board.

NOTE: Hearth & Wall Tiles CUT AND INSTALLED by others