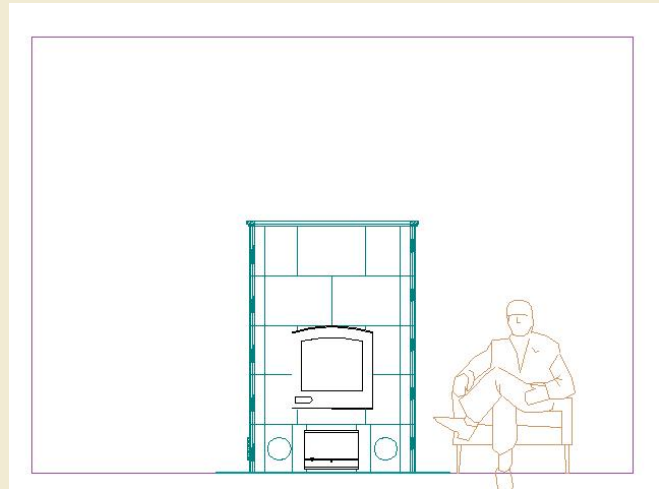
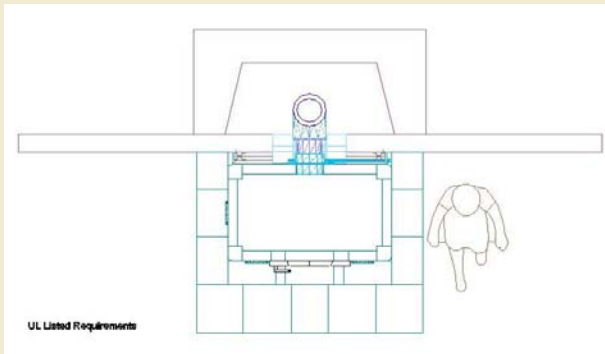


# Space Requirement & Comfort Zone comparison for a typical Tulikivi Fireplace versus a Woodstove

## TULIKIVI Space Requirements

Tulikivi's UL approved option for 3-inch clearance to combustibles significantly reduces the square footage required for installation into your home.

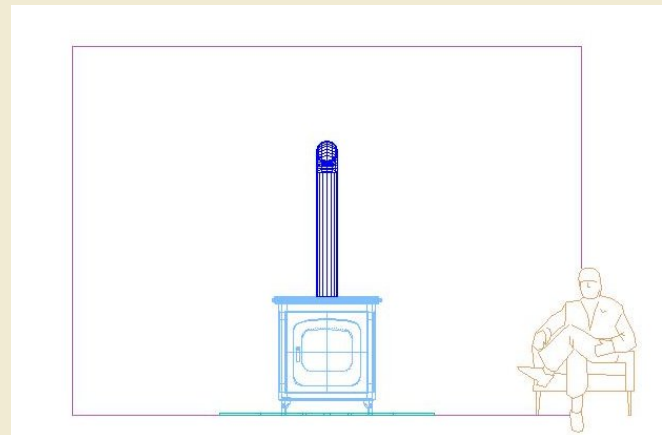
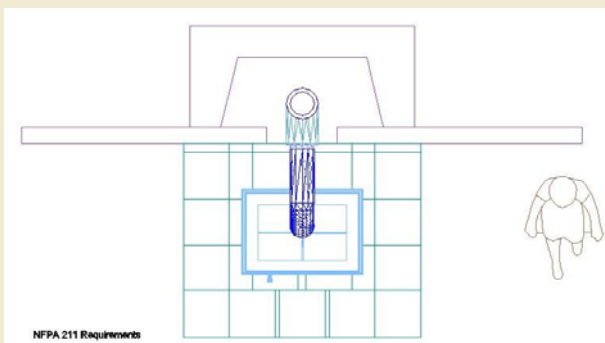


## TULIKIVI Comfort Zone

It is possible to sit very close or even against a Tulikivi fireplace. Safe temperatures on the soapstone's surface radiate like gentle sunshine throughout the living area.

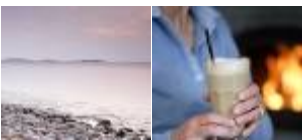
## WOODSTOVE Space Requirements

Woodstove installations typically require significantly larger clearances from combustibles placing the stove further into the room than the UL approved 3-inch clearance option for a Tulikivi fireplace.



## WOODSTOVE Comfort Zone

High temperatures on the surface of a wood stove may require sitting 3 to 5 feet away and even this distance seems uncomfortably hot. The amount of space encumbered during operation is much larger than with a Tulikivi fireplace.



Mid-Atlantic Masonry Heat

[www.VirginiaRadiant.com](http://www.VirginiaRadiant.com)

888-544-5442

**TULIKIVI**  
It's such a cold, cold world